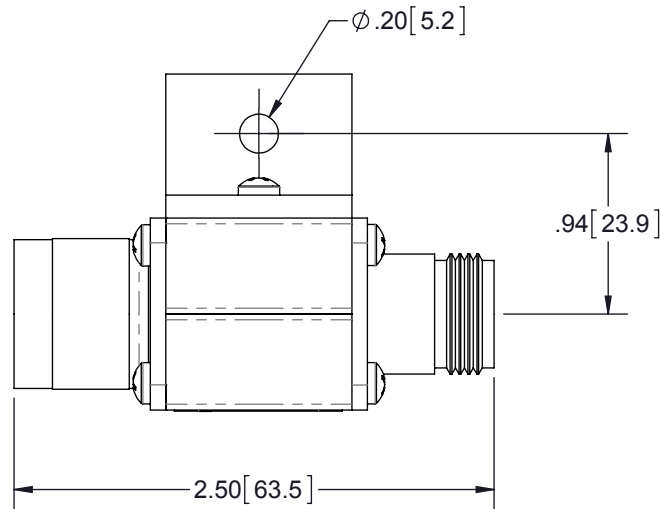


REVISIONS				
REV.	DESCRIPTION	ECN	DATE	APPROVED
E	REFER TO ECN	11282	1/09/13	KCB



### MAXIMUM CHARACTERISTICS

**APPLICATION:**  
FLANGE MOUNT

**FREQUENCY RANGE:**  
1.5MHz TO 700MHz

**SURGE:**  
50kA IEC 61000-4-5 8/20μs WAVEFORM 500J

**TURN-ON:**  
600Vdc ±20% 2.5ns FOR 2kV/ns

**VSWR:**  
≤1.1 TO 1 @ 1.5 TO 700MHz

**INSERTION LOSS:**  
≤0.1dB OVER FREQUENCY RANGE

**MAX POWER:**  
HF 2kW, VHF 375W, UHF 125W

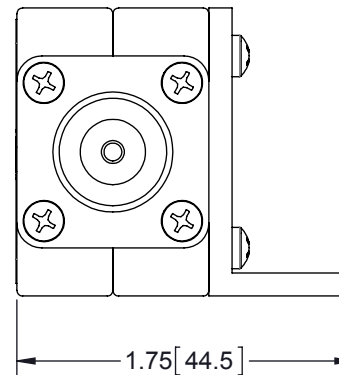
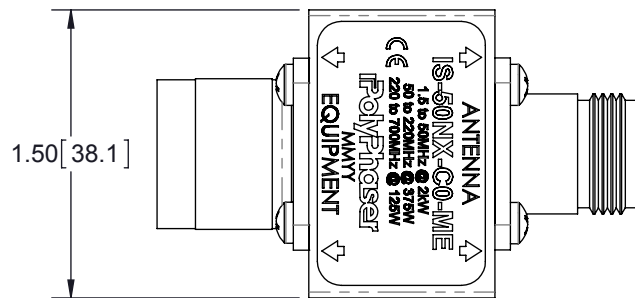
**THROUGHPUT ENERGY:**  
≤10mJ TYPICAL

**STORAGE/OPERATING TEMPERATURE:**  
-45°C TO +85°C

**RELATIVE HUMIDITY:**  
90% AT 40 °C

**VIBRATION:**  
1G AT 5Hz TO 100Hz

**CE COMPLIANT**



CUSTOMER APPROVAL: \_\_\_\_\_ DATE: \_\_\_\_\_

ALL DIMENSIONS SHOWN ARE FOR REFERENCE ONLY.

<small>UNLESS OTHERWISE SPECIFIED LEADING DIMENSIONS ARE INCHES DIMENSIONS IN [ ] ARE MILLIMETERS</small>  <b>TOLERANCES:</b> FRACTIONS=± 1/32 .XX=± .03 ANGLES=± 1° .XXX=± .010  <small>NOTICE: THE INFORMATION AND DESIGN IN THIS DOCUMENT IS THE PROPERTY OF POLYPHASER CORPORATION. ALL RIGHTS RESERVED.</small>	DRAWN <b>J. CALLISTER</b> ENG APPD <b>R. DUNNING</b> PRODUCT MGR <b>K. BARTEL</b> MARKETING APPD <b>R. MILLER</b> PROJECT NO.	DATE 3/25/98 4/21/98 4/17/98 4/21/98			SHEET 1 OF 1 SCALE 1:1	
	TITLE <b>CUSTOMER PRINT IS-50NX-C0-ME</b> <small>CUSTOMER SPECIFICATION</small>					
	<small>THIRD-ANGLE PROJECTION</small> 	DOCUMENT NAME <b>IS-50NX-C0-ME-C</b>	SIZE <b>A</b>	CAGE <b>61114</b>	PROD CAT <b>RFP</b>	PART NUMBER <b>IS-50NX-C0-ME</b>
				REV <b>E</b>		

THESE COMMODITIES, TECHNOLOGY OR SOFTWARE WERE EXPORTED FROM THE UNITED STATES IN ACCORDANCE WITH THE EXPORT ADMINISTRATION REGULATIONS. DIVERSION CONTRARY TO U.S. LAW PROHIBITED.